

Energizer®

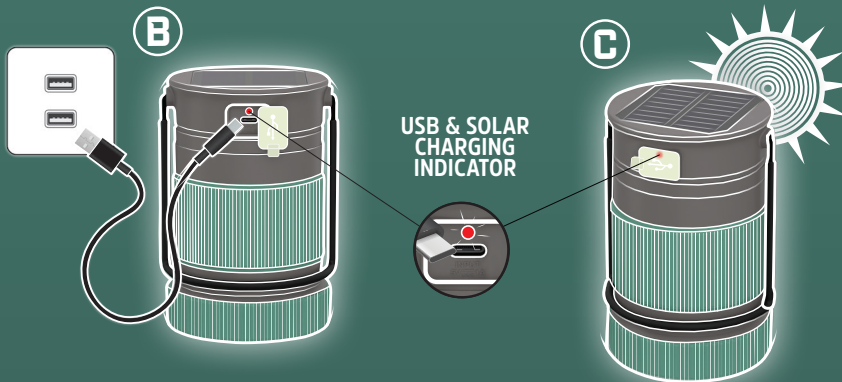
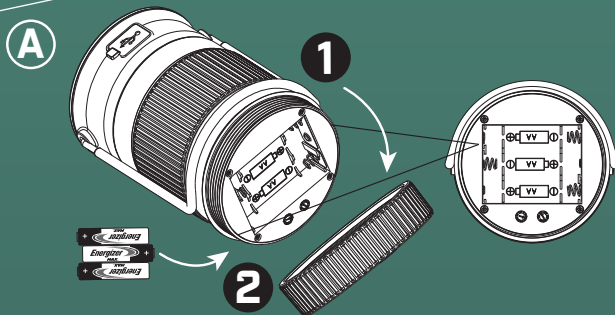
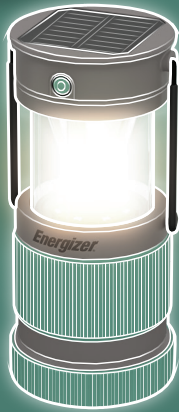
HYBRID SOLAR LANTERN

Never get caught in the dark with the Hybrid Solar Lantern. Charge the rechargeable battery by USB or solar panel with the flexibility to power your light with back up primary batteries providing light anywhere you need it.

COLLAPSIBLE & COMPACT



PULL UP TO TURN ON



OPERATING INSTRUCTIONS

HOW TO USE:

Pull up on lantern top to open and turn on.

Press button to change modes.

- Press 1 time for High.
- Press 2 times for Low.
- Press 3 times to return to Nightlight.

Collapse lantern to turn off. Next time the lantern is opened/turned on, it will start with the mode that was last selected.

HOW TO POWER:

A TO REPLACE PRIMARY BATTERIES:

Unscrew lantern bottom to access primary batteries. Follow diagram on light body for battery orientation.

B RECHARGE VIA USB:

Light must be turned off during charging.

To charge use included USB cord and plug light into any USB charging port.

The charging indicator near the USB port will be red when charging and will be green when complete.

Rechargeable battery is not user replaceable.

C RECHARGE VIA SOLAR PANEL:

Light must be turned off during charging.

To charge via solar panel, place light in full sun.

The charging indicator near the USB port will be red when charging and will be green when complete.

Full sun is required for fastest charging. Cloudy or indirect sun may charge but it will be slower.

DESIGN FEATURES:

Hanger hook on bottom for storage or handsfree use.

Glow in the dark USB cover makes your light easy to find!

