

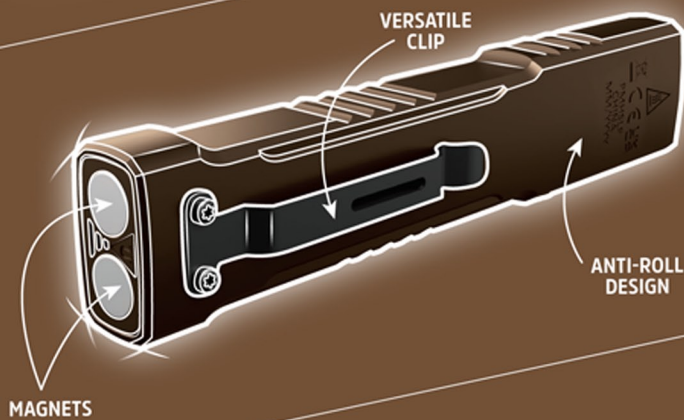
Jeep®

SLEEK METAL FLASHLIGHT



The **Jeep Sleek Metal Flashlight** combines powerful brightness with a compact, unique design. Emitting up to 1200 lumens, it ensures visibility on any journey. This slim flashlight easily fits into your pocket or backpack and features a versatile clip and a magnet for hands-free use or storage. It is powered by a long-lasting, rechargeable Lithium-ion battery that is USB-C rechargeable for on the go charging. This small yet durable flashlight is designed to withstand the demands of adventure, both on and off the road with aircraft-grade aluminum, a IPX4 water resistant rating and a shatterproof lens.

8
MODES



BATTERY CHARGING
INDICATORS

OPERATING INSTRUCTIONS

HOW TO USE:

SPOT MODE FOR A DIRECT BRIGHT BEAM

AREA MODE FOR A WIDE BRIGHT BEAM

Spot and Area Buttons:

Press ON/OFF button to turn on.

Press 1 time for Medium

Press 2 times for High

Press 3 times for Low

Quick double press either button for strobe mode

Press and hold either button for boost mode
(lasts for 40 seconds then returns to previous mode)

After 2 seconds in any mode, the next press will be OFF.

DESIGN FEATURES:

SLIM DESIGN FOR EVERYDAY CARRY

Handsfree Use:

- Versatile Clip
- Magnet
- Anti-roll Design

SAFETY FEATURE:



CAUTION: Potential burn hazard.
Avoid contact with area with "HOT" symbol
while in use.

HOW TO CHARGE:

Rechargeable battery is not user replaceable.

To charge use included USB cord and plug light into any USB charging port.

For best results turn the light off to charge. If the light is on it will switch to low mode while charging.

BATTERY CHARGE INDICATOR

Charging Indicator lights illuminate through power buttons

Red = Charging

Green = Charging complete

