

Jeep

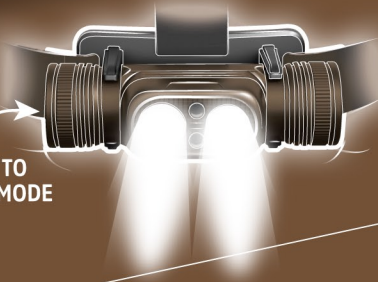
HYBRID METAL HEADLAMP



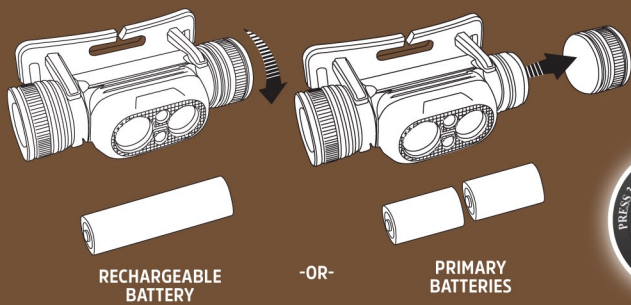
The **Jeep Hybrid Metal Headlamp** delivers extreme brightness, emitting up to 2000 lumens on boost mode. With multiple modes, it provides a hands-free solution for any journey. This light features a charging indicator and a low battery indicator, keeping your mind at ease. Built with versatile power options, this hybrid headlamp can be powered by a rechargeable or CR123 batteries. Take the light off the strap to be used as a handheld flashlight or use the magnet attachment for an additional handsfree use option. Built to endure the demands of adventure, both on and off the road, this durable metal headlamp is waterproof, dustproof, and equipped with a shatterproof lens.



PRESS TO CHANGE MODE

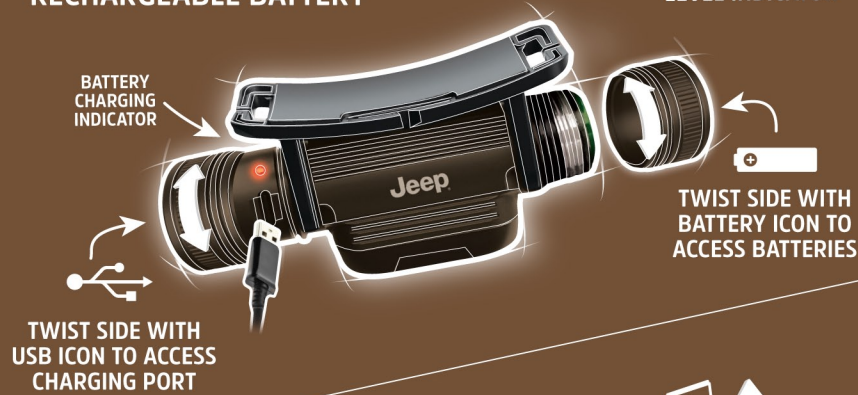


BATTERY REPLACEMENT



LOW BATTERY INDICATOR

RECHARGEABLE BATTERY



RECHARGEABLE BATTERY CHARGE LEVEL INDICATOR

OPERATING INSTRUCTIONS

HOW TO USE:

Press on/off button to turn on.

- Press 1 time for high.
- Press 2 times for medium.
- Press 3 times for low.
- OFF** Press 4 times for off.
- Press 2 times very quickly (double press) in any mode for red.
- Next press will be green.
- OFF** Third press will be off.
- BOOST** Press & hold 2 sec at any time (including off) for boost. After 40 seconds, the light will return to high. There is a 40 second lock out until boost can be used again.

CAUTION: Potential burn hazard. Avoid contact with area with "HOT" symbol while in use.

HOW TO POWER:

PRIMARY OR RECHARGEABLE BATTERIES

TO REPLACE BATTERIES:

- Unscrew and remove end cap with the battery icon to access batteries.
- Follow diagram on light for battery orientation.

LOW BATTERY INDICATOR:

- While light is being used, a colored LED will flash 3 times when battery is low.
- Recharge battery or replace primary batteries.

RECHARGEABLE BATTERY

CHARGING BATTERY OUTSIDE THE LIGHT:

- Unscrew end cap with the battery icon to access and remove rechargeable battery.
- To charge, use included USB cord and plug battery into any USB charging port.
- Charging the battery outside the light allows user to operate light on primary power while rechargeable battery recharges.

RECHARGEABLE BATTERY CHARGE LEVEL INDICATOR:

- Charge Indicator is located on top of rechargeable battery.
- Individual LEDs will light up when the battery reaches the 25%, 50%, 75%, and 100% charged.

CHARGING BATTERY INSIDE THE LIGHT:

- Unscrew the end cap with the USB icon to reveal the charge port.
- To charge use included USB cord and plug light into any USB charging port.

BATTERY CHARGING INDICATOR:

- Charge Indicator is located by the USB port and will illuminate when the USB charging has started.

- Red = Charging
- Green = Charging complete

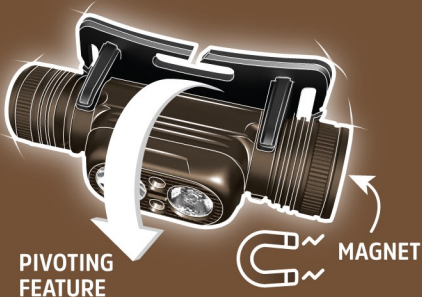
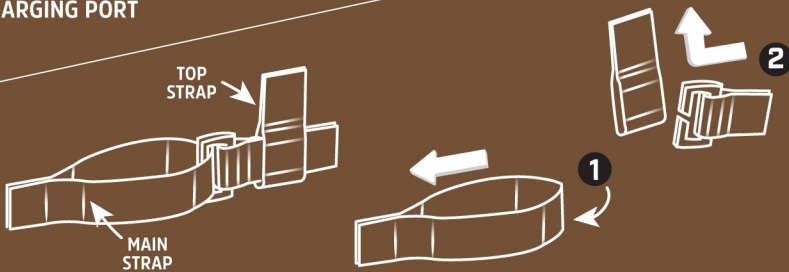
DESIGN FEATURES:

- Comfortable head-strap with optional top strap for additional support.

TO REMOVE TOP STRAP

1. Unhook the main strap from under the slider.
2. Top strap will slide off main strap.

- Pivoting feature to direct light where needed.
- Detachable to be used as a handheld flashlight.
- Magnet for additional hands-free use option.



DETACHABLE HANDHELD FLASHLIGHT OPTION

PIVOTING FEATURE

MAGNET